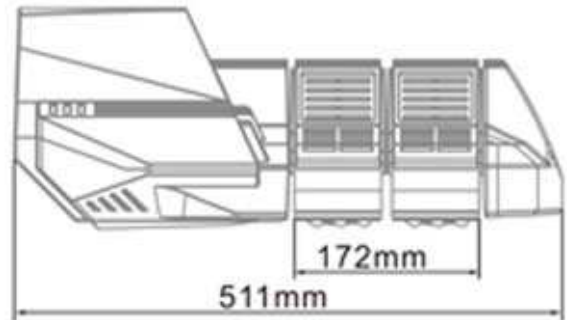
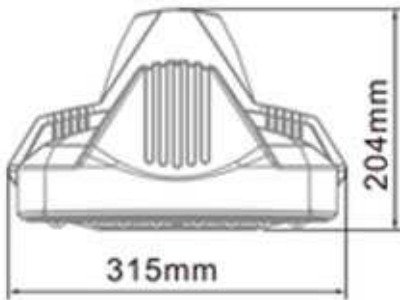


Street Light
Save energy consumption up to 75%
Type SCV-60



Universal AC input (100 – 277) VAC

Protections: Short circuit, Overload , Overvoltage , Overtemperature , re-power on to recover

Built-in active PFC function

Efficiency PF 85%

Working temperature (-20 to +50) °C

UL1310 Class 2 power unit

Output flux 4800 Lm

Color Cool White CCT Range Min. 5300 K

Input power consumptions 60W